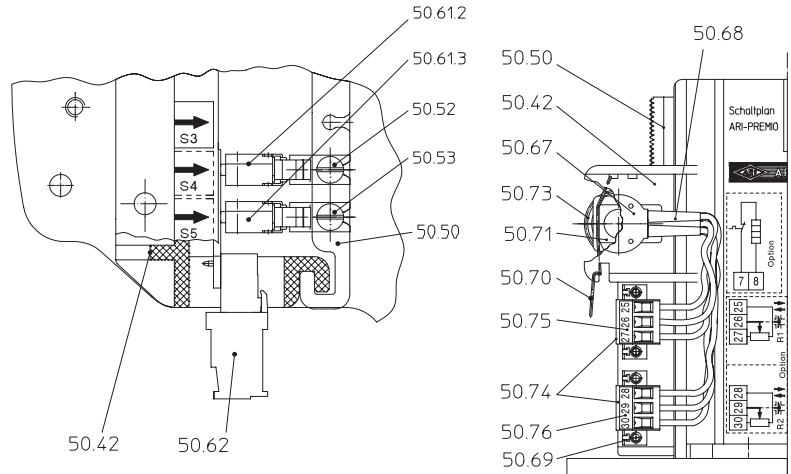
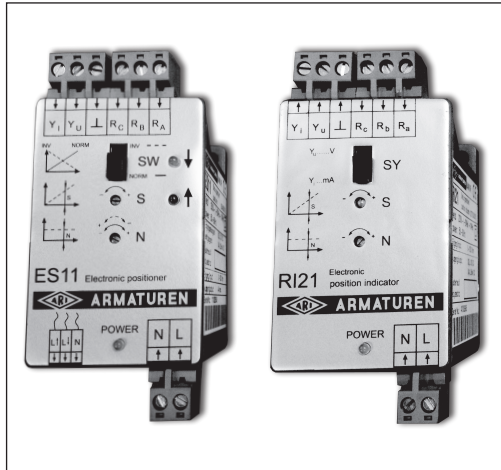


Electric Position Controller

ES11

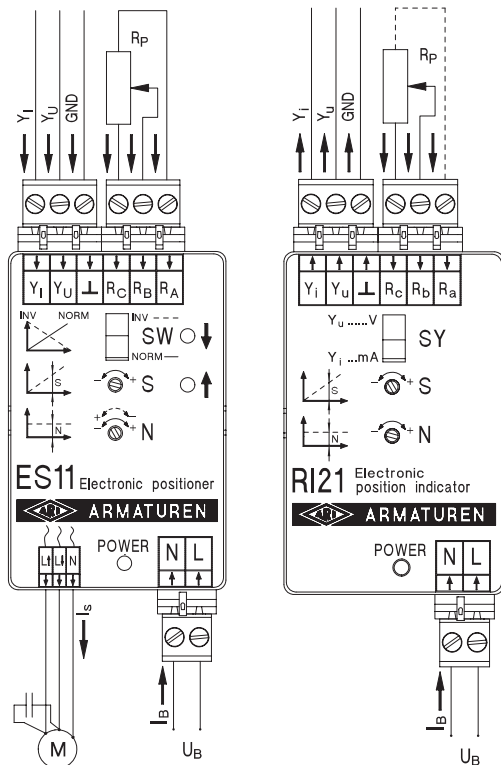


Potentiometer

Pos.	Description
50.42	Board support
50.50	Trip slide
50.67	Potentiometer
50.68	Connecting cable
50.69	Self-tapping screw
50.70	Pinch spring
50.71	Slide block
50.73	Pinion
50.74	Connector, 3-pole

Additional travel switch

Pos.	Description
50.42	Board support
50.50	Trip slide
50.52	Setting spindle for switch S4
50.53	Setting spindle for switch S5
50.61.2	Travel switch S4
50.61.3	Travel switch S5
50.62	Connector, 6-pole



Electronic position controller ES11

Operating voltage	U_B	24V-50/60Hz	115V-50/60Hz	230V-50/60Hz
Operating current without load	I_B	150 mA	40 mA	20 mA
Input control signal	Y_U	0 (2) 10V DC - (RI = 30 kOhm)		
Input control signal	Y_I	0 (4) 20 mA DC - (RI = 125 Ohm)		
Potentiometer input	R_P	0 10 kOhm, recommended 0 1 kOhm (Potentiometer can be used only as a voltage divider)		
Three-step switching current	I_S	4A max.		

Electronic position indicator RI21

Operating voltage	U_B	24V-50/60Hz	115V-50/60Hz	230V-50/60Hz
Operating current without load	I_B	150 mA	40 mA	20 mA
Output control signal	Y_U	0 (2) 10V DC - (load resistance > 1000 Ohm)		
Output control signal	Y_I	0 (4) 20 mA DC - (load resistance max. 800 Ohm)		
Resistance	R_P	0 1000 Ohm		

*last updated 10/16